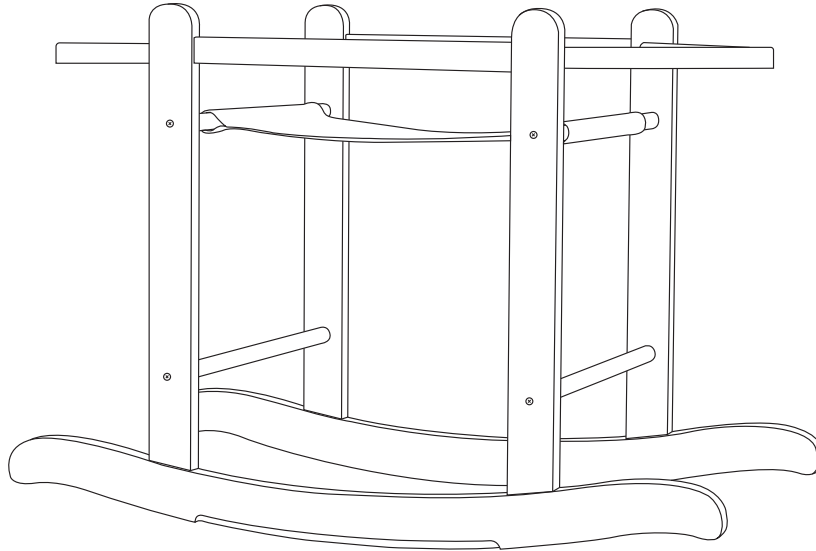


KINDER®
Valley

Little Gem Rocking Stand

ASSEMBLY INSTRUCTIONS



IMPORTANT, RETAIN FOR FUTURE
REFERENCE: READ CAREFULLY

Dimensions(cm): (L)75cm x (W)50cm x (H)43.5cm*
Min/Max Moses Basket Base Size: (L)75cm x (W)41cm

- Easy assembly • Safe & Sturdy • Solid Pine Wood
- Smooth Rocking Motion • Suitable From Birth

*Approx. measurements only. Sizes may vary.

Contact Us...

E sales@kinder-valley.com

T 0844 7744644 - Option 2

www.kinder-valley.com



LITTLE GEM ROCKING STAND

ASSEMBLY INSTRUCTIONS

Before you start

**IMPORTANT, RETAIN FOR FUTURE REFERENCE:
READ CAREFULLY**

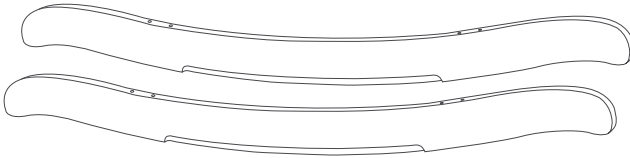
Instructions for safe use:

- WARNING - Do NOT attach anything to the stand that may affect its stability.
- WARNING - Remove all packaging materials before use.
- WARNING - Store in a cool, dry place away from children when not in use.
- WARNING - Do NOT let other children play unattended near the moses basket and stand.
- WARNING - Use only on firm ground which is horizontal, level and dry.
- WARNING - Do NOT use if any part is broken, torn or missing.
- WARNING - Only use replacement parts supplied by or approved by Kinder Valley.
- WARNING - Your product can be cleaned with a damp cloth. Never use harsh abrasives, bleach or strong detergents.

Fixtures & Fittings

CHECK THAT YOU HAVE ALL FIXTURES AND FITTINGS BEFORE ASSEMBLY, AND ENSURE THEY ARE NOT BROKEN.

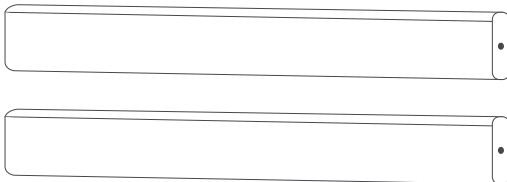
A x2 Curved Base Rail



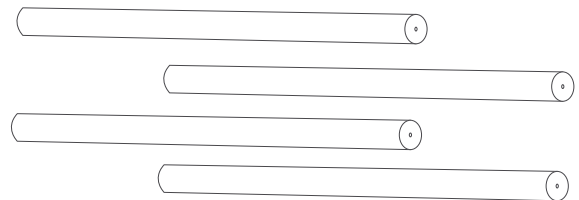
B x4 Legs (x2 Left & x2 Right)



C x2 Support Bars



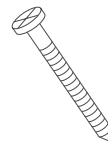
D x Cross Rails



E x2 Plastic Rails



F x8 70mm Screws



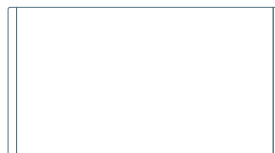
G x12 40mm Screws



H x12 13mm Screws



I Canvas Support Mat



Tools you'll need for assembly:

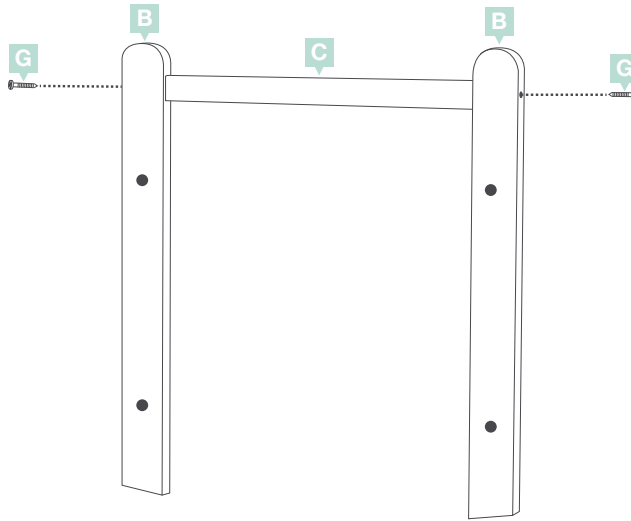


Number of people to assemble:

One adult is required to assemble this item.

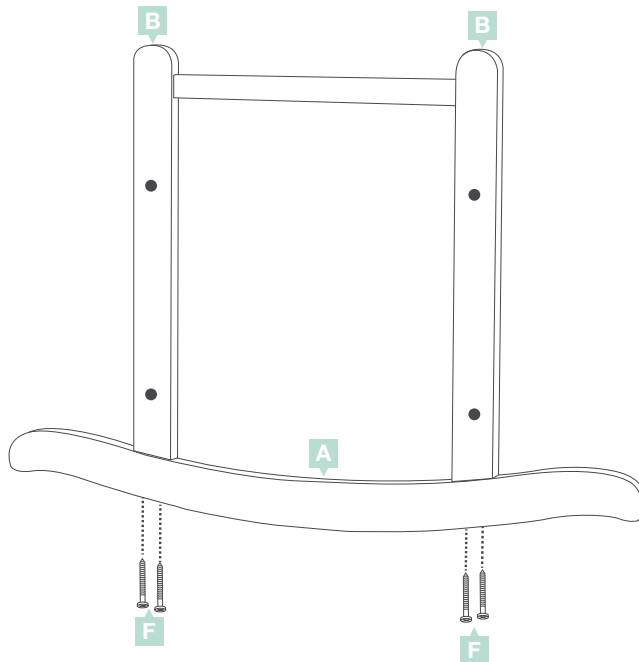


Step 1



Fasten 2 Legs **B** (x1 Left and x1 Right) to Support Bar **C** using 2 x 40mm Screws **G**. Large holes should be facing the same way. Repeat this step with the remaining 2 Legs **B** and Support Bar **C**.

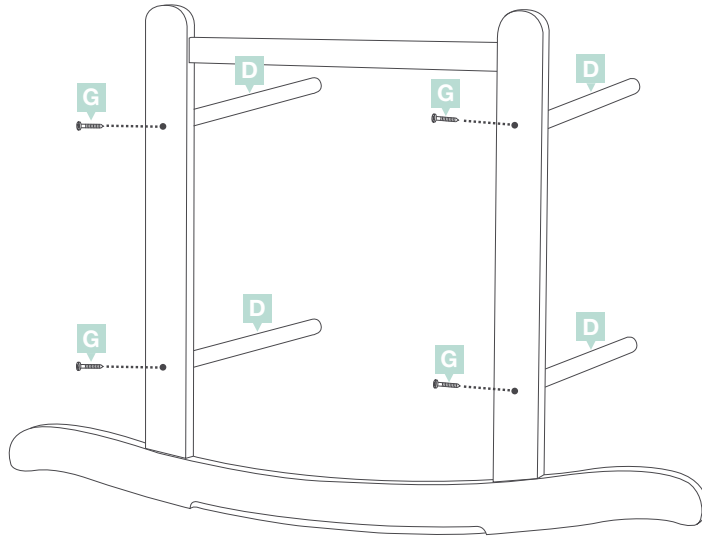
Step 2



Fasten Curved Base Rail **A** to Legs **B** using 4 x 70mm Screws **F**. Repeat this step with the remaining Curved Base Rail **A** and Legs **B**. Make sure the groove on Curved Base Rail is facing the outside.

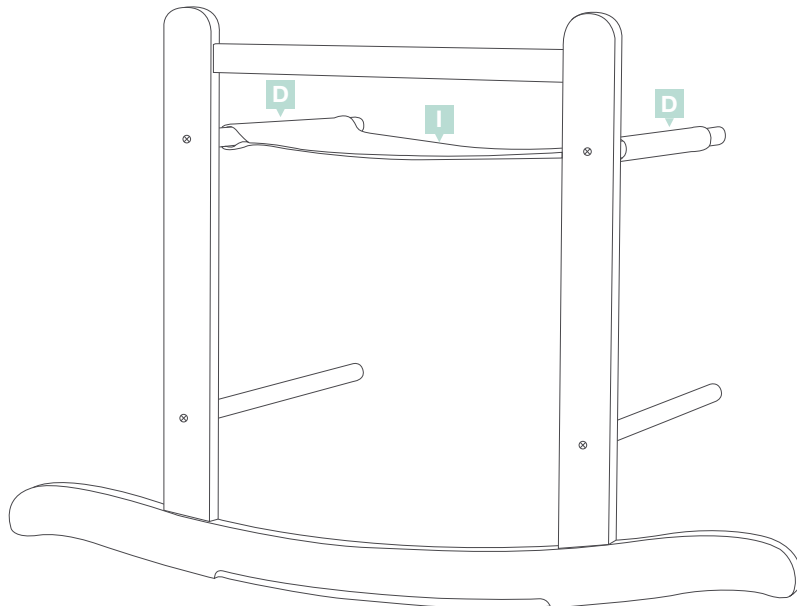
IMPORTANT - RETAIN FOR FUTURE REFERENCE

Step 3



Attach x4 Cross Rails **D** to **Step 2** using x4 40mm Screws **G** .

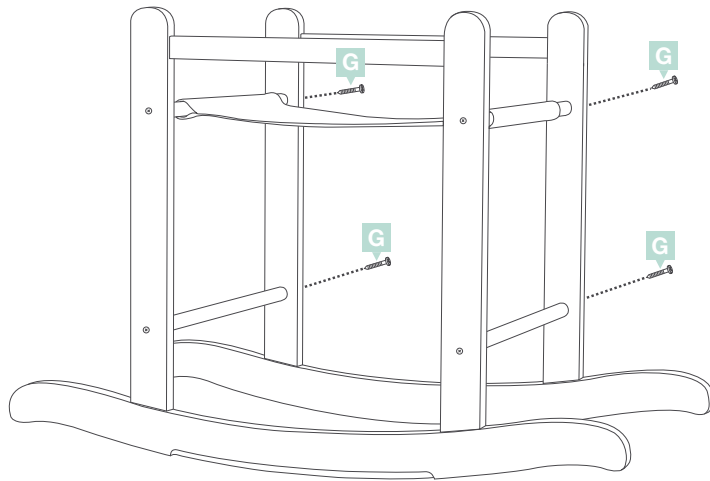
Step 4



Slide the Canvas Mat **I** onto the Cross Rails **D** at the top of the stand.

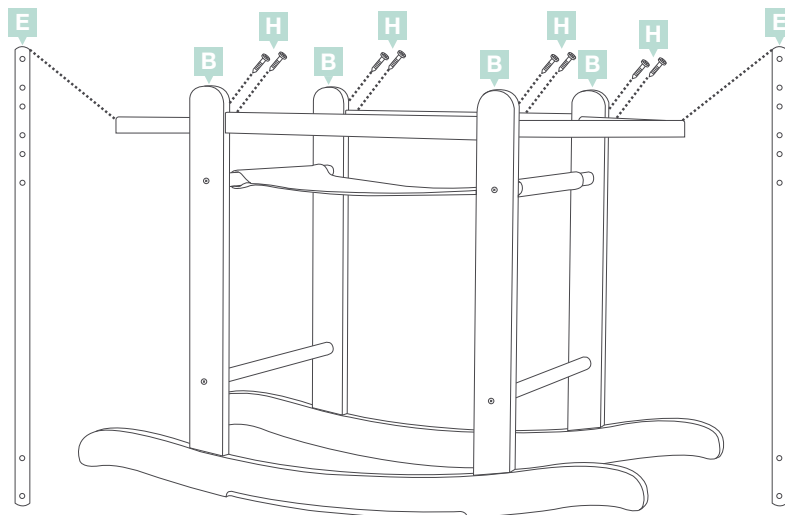
IMPORTANT - RETAIN FOR FUTURE REFERENCE

Step 5



Attach remaining **STEP 3** to the main structure using the remaining x2 40mm Screws **G**.

Step 6



Finally, attach Plastic rail **E** to Legs **B** using x2 13mm Screws **H**. Repeat this step with the remaining Plastic Rail **E**. The Plastic rails have x6 holes one end and x2 holes the other to allow for adjustment depending on the size of your Moses basket.

IMPORTANT - RETAIN FOR FUTURE REFERENCE