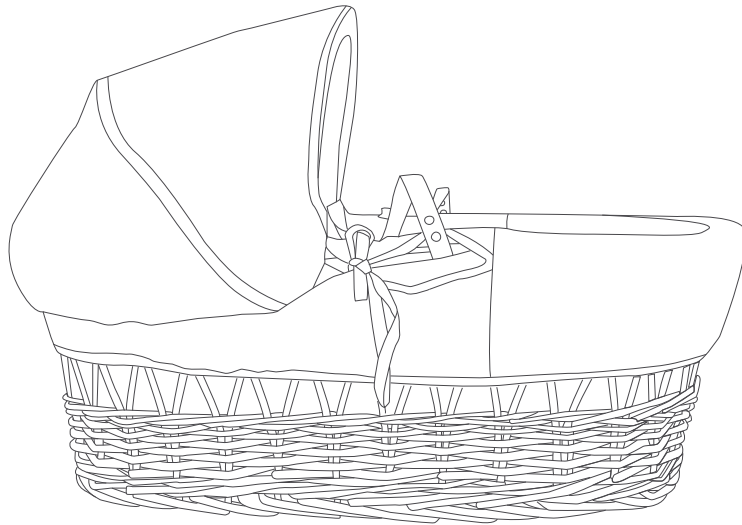


KINDER®
Valley

Handmade Wicker Moses Basket ASSEMBLY INSTRUCTIONS



**IMPORTANT! KEEP FOR FUTURE
REFERENCE**

MAXIMUM WEIGHT OF CHILD 9KG.

Dimensions(cm): (L)83 x (W)45 x (H)30*
Min/Max Moses Basket Base Size (mm):
(L)76-87 x (W)30-31*

- Natural & Handmade • Comes fully assembled • Washable Bedding Set • Suitable from Birth • Adjustable Canopy

*Approx. measurements only. Sizes may vary.

Contact Us...

E sales@kinder-valley.com

T 0844 7744644 - Option 2

www.kinder-valley.com



HANDMADE WICKER MOSES BASKET

ASSEMBLY INSTRUCTIONS

Before you start

**IMPORTANT - RETAIN FOR FUTURE REFERENCE -
READ CAREFULLY**

Instructions for safe use:

WARNING - This product is only suitable for a child who cannot sit unaided, roll over and cannot push itself up on its hands or knees. Maximum weight of the child 9kg. If used for overnight sleeping, we recommend you replace the quilt with a blanket which can be tucked in.

WARNING - The head of the child in the carry cot should never be lower than the body of the child.

WARNING - This basket is not suitable to carry a baby in.

WARNING - Before lifting the Moses basket, make sure both handles are secure in the hand of the Carer.

WARNING - Do not let other children play near the Wicker basket.

WARNING - Do not leave flexible carrying handles inside the carry cot.

WARNING - Use only on a firm, horizontal level & dry surface.

WARNING - Do not use if any part is broken, torn or missing. Use only replacement or approved parts from Kinder Valley.

WARNING - Be aware of the risk of open fire and other sources of strong heat, such as electric bar fires, gas fires, etc. in the near vicinity of your Moses Basket.

WARNING - Do not add another mattress on top of the mattress provided or recommended by the manufacturer.

WARNING - Do not leave flexible carrying handles inside the carry cot.

WARNING - If the Moses basket is intended to be used with a stand, then it should be checked that the stand is the appropriate size to accommodate the base of the Moses basket. Base size Min-Max. 700-835mm in length and 300-370mm in width.

WARNING - If a mattress is purchased separately, the area between the top of the mattress and the top of the basket should be 200mm or more.

As every Moses basket is handmade please be aware that there may be slight size & colour variation due to the nature of the natural wicker.

The handles and the bottom should be inspected regularly for signs of damage and wear. Regularly check the fittings are secure, loose fittings can result in snagging clothes or cords posing a risk of strangulation.

Please store in a cool dry place when not in use. Dispose of all packaging safely before use.

About your Wicker Moses Basket

We would like to tell you a little about your Kinder Valley Wicker Moses basket. This basket has been individually handmade in China by skilled craftsmen. Baskets have been woven in China in the same way for many centuries. Originally they were used for transporting and storing goods and over the years they have been developed to suit the modern needs.

What is it?

Wicker is made from willow. It's very fast growing, and unlike traditional willow tree, actually looks more like a shrub! It's grown from ground level and cut back each season making it an environmentally sustainable product.

Where is it grown?

Wicker grows prolifically throughout the Northern Hemisphere; it's actually native to China. Wicker related products are the main source of income for villagers, so it's good for the wider community too. Wicker comes from an environmentally sustainable tree, grown in abundance to a community whose subsistence depends upon it's production.

How is it made?

This wicker once picked is dried and transported to a specialist basket factory. The wood is then rehydrated to make it flexible (on average they are soaked in water for four days before they are woven). Skilled craftsmen create a weave for the Moses basket called pairing. This technique gives the basket its unique shape. The basket is then fully tested to British standards by an international testing company in the UK. Your Baby's safety is paramount to us; this is why we re-inspect and further test every basket before they are processed. Once the dressing has been added, they are given a final check before being dispatched. You and your baby can sleep soundly in the knowledge that all our Moses baskets are made using all the best materials and conform to British/EU Standards, some of the highest standards in the world.

Moses Basket Conforms to BSEN1466:2014.

Adjusting the Hood

The hood can be adjusted to any desired angle by tightening the screws situated at the joint of the hood.

Cleaning Instructions

Basket: Sponge clean lightly with warm water and mild detergent.

Mattress: If necessary wash by hand in warm water and mild detergent. Dry away from direct heat or sunlight. Do not tumble dry. Do not dry clean.

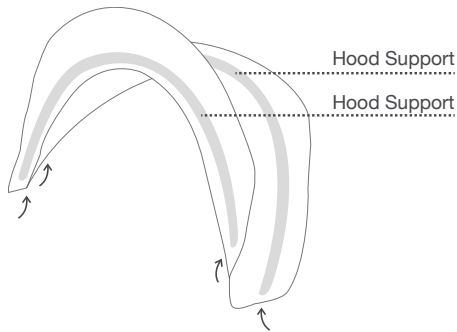
Dressings and Mattress Cover: All covers are machine washable, they can be washed at 40° with a fabric softener to obtain best results.

How to Assemble the Hood

*Comes already assembled

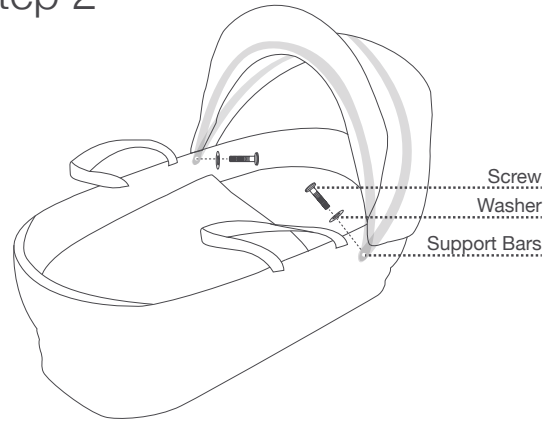
To disassemble the hood follow steps in reverse.

Step 1



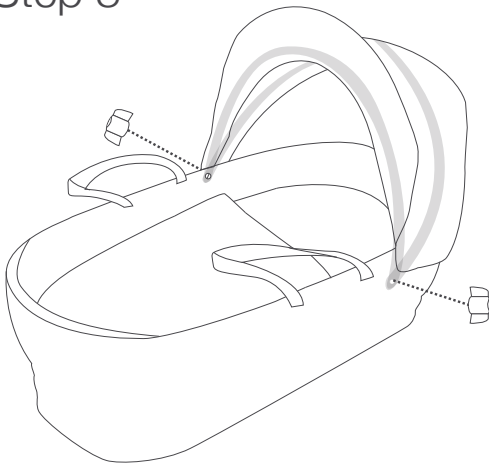
Firstly, thread the 2 hood supports through the fabric hood situated on the underside; X1 to support the front and X1 to support the middle of the hood.

Step 2



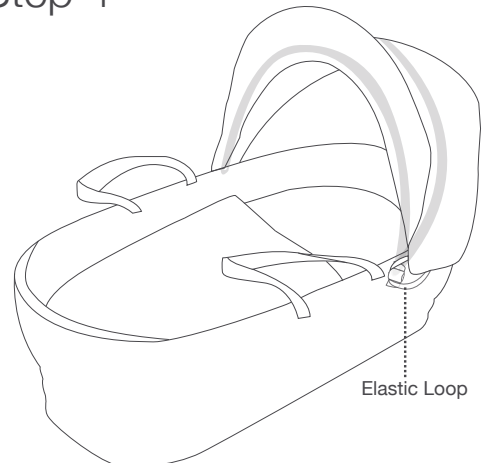
Thread screws with washer attached through the holes next to the handles on the basket. Then thread through the hole at either end of the support bars - you must ensure that the front support goes on first, followed by the middle, to stop the straps from crossing over.

Step 3



Fit the wing nuts on to the screws from the outside of the basket. Ensure it is tightened to where you desire the hood, you can adjust the screws accordingly.

Step 4



Lastly, hook the elastic loops over the nuts on both sides of the basket. Tuck the ends of the canopy over, pull the back fabric of the hood over the basket, to create the canopy.